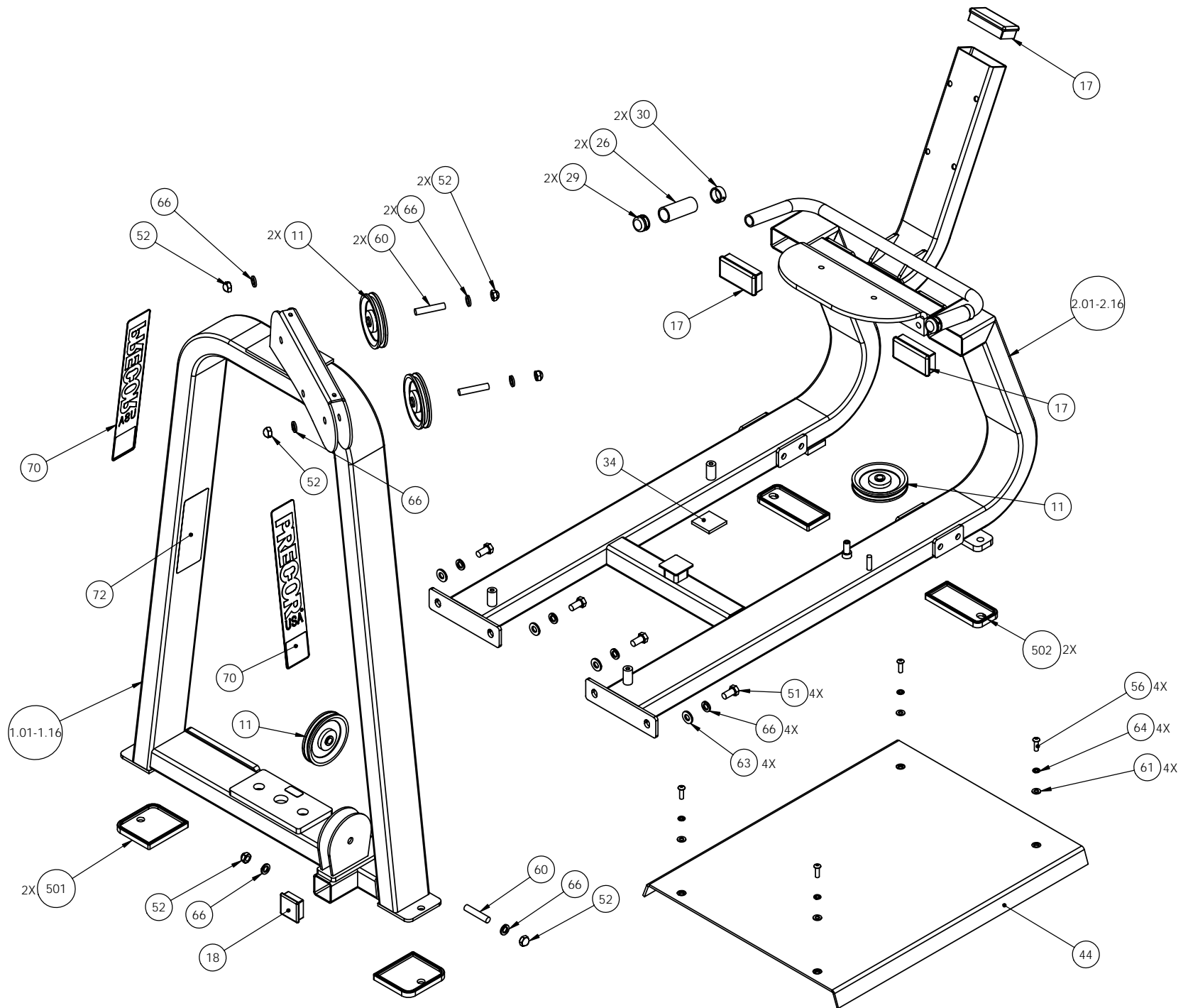
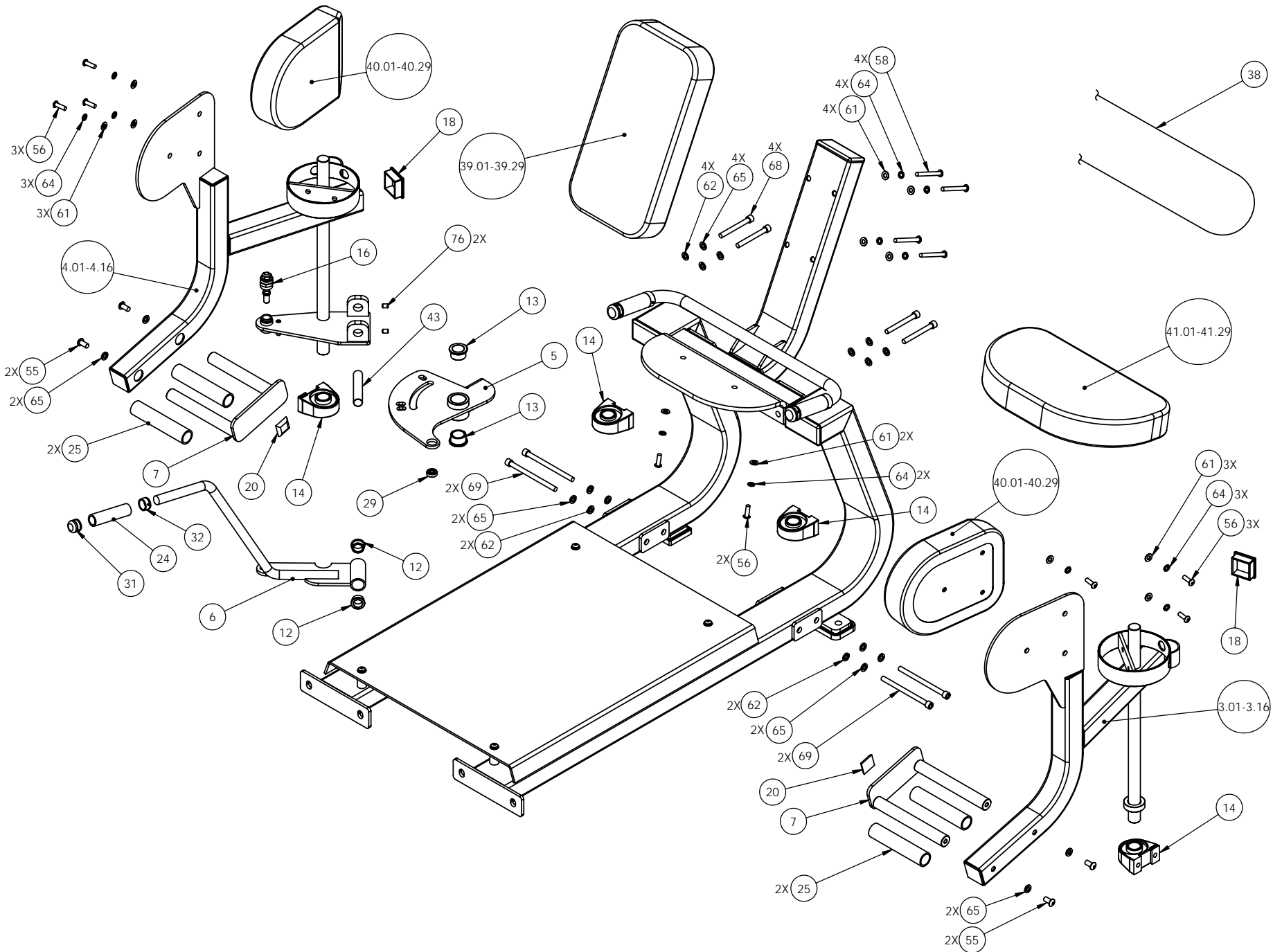


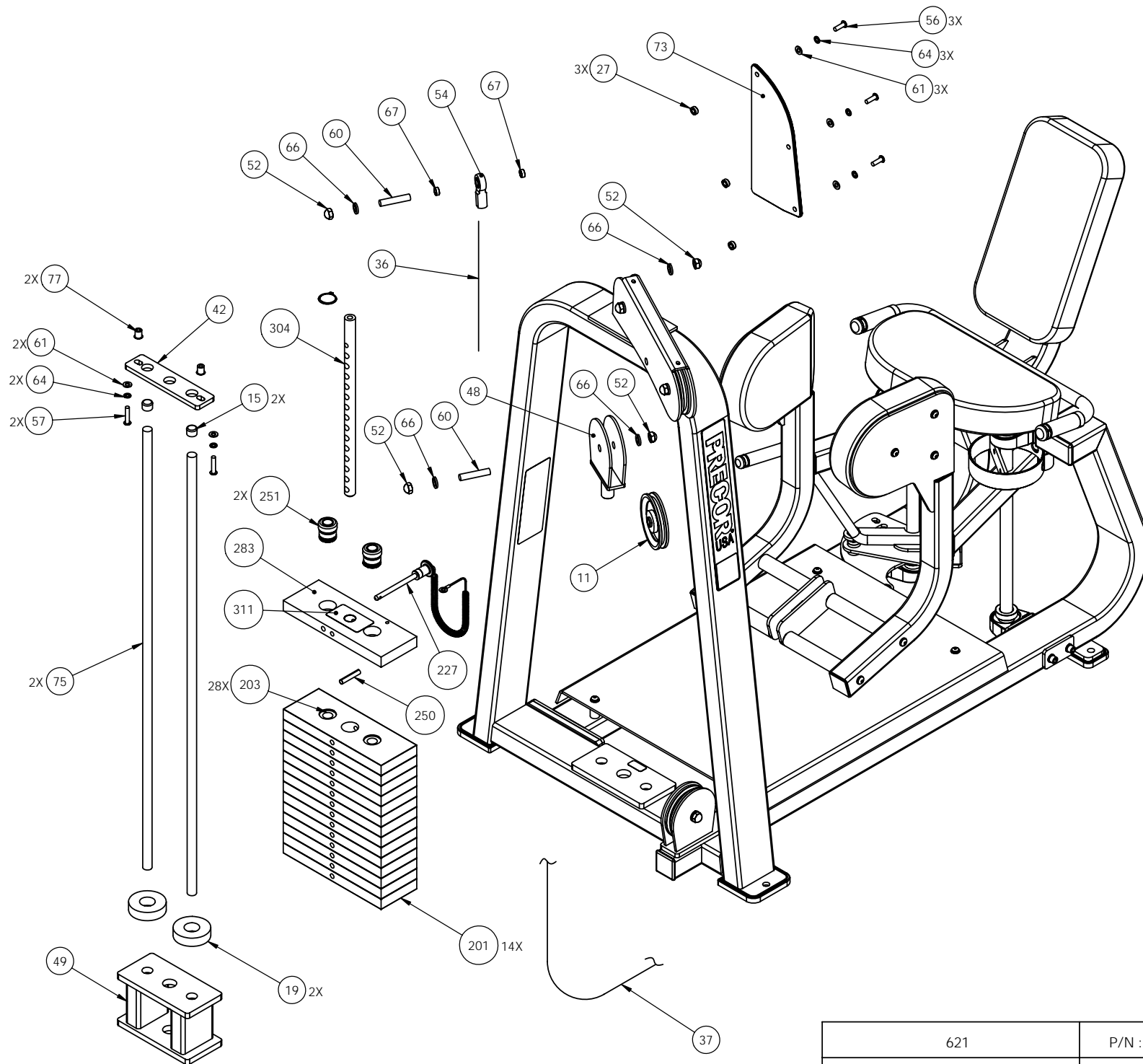
621	P/N : CW31090-101	SUBREV : B
DRAWN BY : CT	DATE : 11.19.05	SHEET 1 OF 5



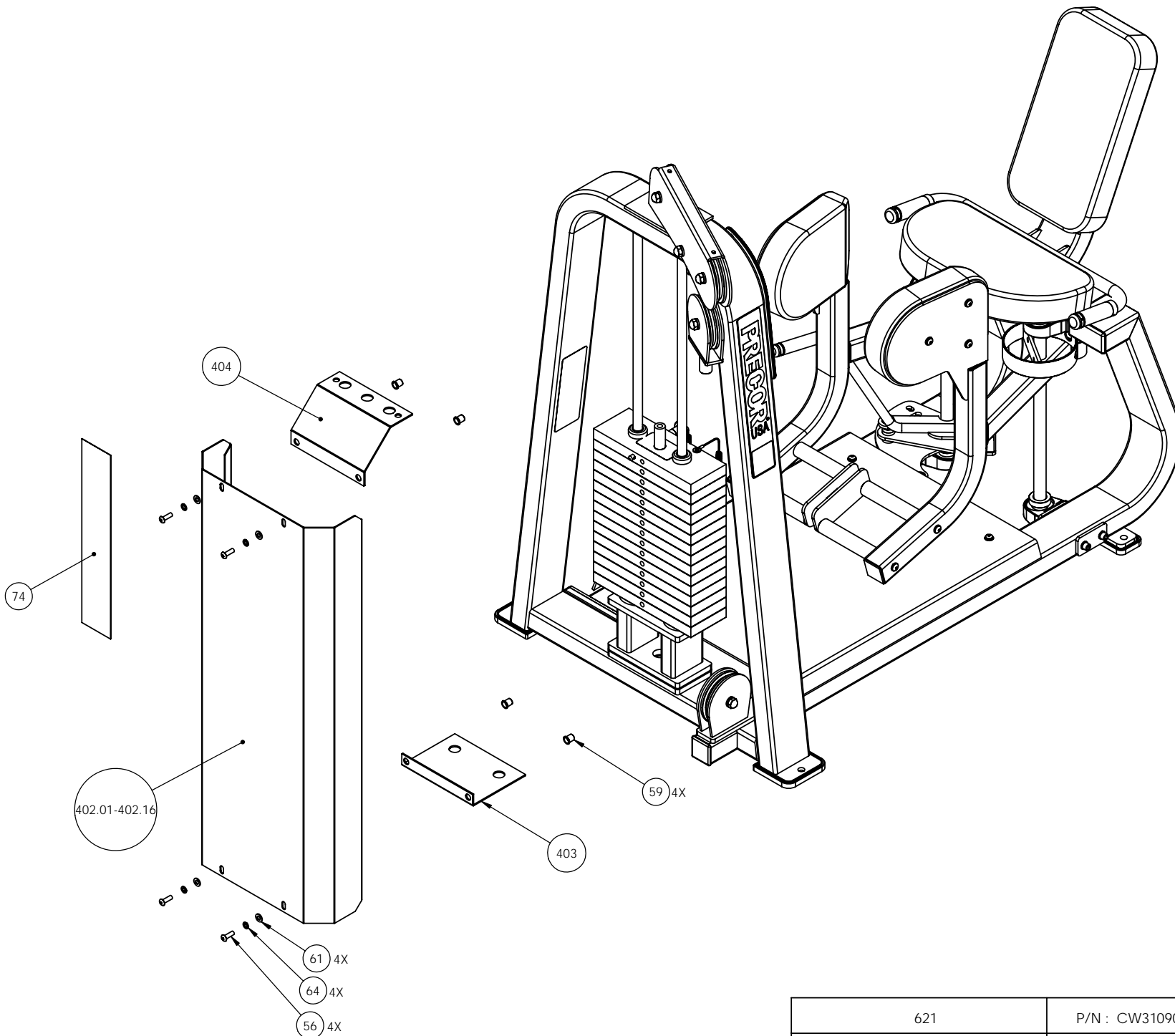
621	P/N : CW31090-101	SUBREV : B
DRAWN BY : CT	DATE : 11.19.05	SHEET 2 OF 5



621	P/N : CW31090-101	SUBREV : B
DRAWN BY : CT	DATE : 11.19.05	SHEET 3 OF 5



621	P/N : CW31090-101	SUBREV : B
DRAWN BY : CT	DATE : 11.19.05	SHEET 4 OF 5



621	P/N : CW31090-101	SUBREV : B
DRAWN BY : CT	DATE : 11.19.05	SHEET 5 OF 5

### 621 Abductor (Outer Thigh)

Part Number	Description	Bubble Number
CW620621SA1-311	ASSY,A-FRAME,620/621,STONE HG	1
CW620621SA1-211	ASSY,A-FRAME,620/621,SKY WHITE	1.01
CW620621SA1-321	ASSY,A-FRAME,620/621,TITANIUM HG	1.12
CW620621SA2-311	ASSY,FRAME,MAIN,620/621,STONE HG	2
CW620621SA2-211	ASSY,FRAME,MAIN,620/621,SKY WHITE	2.01
CW620621SA2-321	ASSY,FRAME,MAIN,620/621,TITANIUM HG	2.12
CW621SA3-321	ASSY,ARM,LEFT,621,TITANIUM HG	3
CW621SA3-211	ASSY,ARM,LEFT,621,SKY WHITE	3.01
CW621SA3-311	ASSY,ARM,LEFT,621,STONE HG	3.11
CW621SA3-321	ASSY,ARM,LEFT,621,TITANIUM HG	3.12
CW621SA4-321	ASSY,ARM,RIGHT,621,TITANIUM HG	4
CW621SA4-211	ASSY,ARM,RIGHT,621,SKY WHITE	4.01
CW621SA4-311	ASSY,ARM,RIGHT,621,STONE HG	4.11
CW621SA4-321	ASSY,ARM,RIGHT,621,TITANIUM HG	4.12
CW621SA5-721	ASSY,CAM,621,WRINKLE BLACK	5
<b>CW620621SA6-731</b>	ASSY, SELECTOR HANDLE, 620/621, BLA	6
CW621SA9-721	ASSY,FOOT REST,620/621,WRKL BLK	7
CW620621SA9-721	ASSY,FOOT REST,620/621,WRKL BLK	7
CW30055-101	LABEL,INSTRUCTION,621	8
CWAC1001-101	LABEL, "ICARIAN", 1 1/2 X 8 1/8	9
CWAC1002-101	LABEL, "ICARIAN", 3 X 16 3/8	10
<b>CWAC1009-101</b>	PULLEY, 4 1/2 DIA X 1/2 ID	11
<b>CW10043-133</b>	BUSHING, BRONZE, 3/4" ID X 1" OD	12
CW10043-134	BUSHING, BRONZE, 1" ID X 1 1/4" OD	13
<b>CW12406-101</b>	PILLOW BLOCK, BEARING, 2 BOLT	14
<b>CW12404-101</b>	CAP, GUIDE ROD,DIA 3/4, BLK	15
<b>CW30502-732</b>	ASSY, POP PIN, 0.450 DIA LONG NOSE,	16
<b>CW11311-102</b>	ENDCAP, REC TUBE, 2X4, BLK PLASTIC	17
<b>CW11311-103</b>	ENDCAP, REC TUBE, 2X2, BLK PLASTIC	18
<b>CW12402-101</b>	BUMPER, ID 1.050, BLK RUBBER	19
<b>CW12575-101</b>	MOULDED BUMPON, BLACK, 31.75MM SQ (	20
CWAC1183-101	LABEL, WARNING, SERIOUS INJURY	23
CWGR4803-750	GRIP, RUBBER, .75" OD HANDLE, 3.75"	24
<b>CWGR4606-000</b>	GRIP, RUBBER, 1.00" OD HANDLE, 6.00	25
<b>CWGR4603-125</b>	GRIP, RUBBER, 1.00" OD HANDLE, 3.13	26
CWAC1228-901	SPACER, ALU,.328 ID X .625 OD X .25	27
CW10158-119	BEARING, BALL, 608, 22MM OD X 8 MM	29
<b>CWAC219-902</b>	HNDL RETAINER RNG, W/SS,1.040" I.D.	30
<b>CWAC220-901</b>	HANDLE END CAP W/SET SCREWS, DIA 3/	31
CWAC233-902	HANDLE RETAINER RING W/SET SCREWS,	32
CW30013-201	CUT PIECE, CREPE, 1/4 THICK, 2.00 X	34
CWCLGP057-000	ASSY, CABLE, 620, 621	36
CWEANN016-013	SCREW, SET, SCKT, CUP POINT, 8-32 X	36
CWCLGN080-250	ASSY, CABLE, 621	37
CWCLLL034-250	ASSY, CABLE, 620, 621	38
CWPD1105B-101	PAD,9X17,4HOLES,W/BP,BLACK	39.01
CWPD1301A-101	PAD,8X10.75,3HOLES,BLACK	40.01
CWPD1420A-101	PAD,9.5X17,2 HOLES,BLACK	41.01

CWPF1016-732	BAR,,FLAT CR/HR, 3/8 X 2 X 8 1/4, 3	42
CWPF1362-731	BAR,STEEL,RND,DIA. .745 X 4 1/8,BLK	43
CW33363-731	ASSY, FLOATING PULLEY HOUSING, BLK	48
CW31213-721	ASSY,5" WEIGHT STACK RISER,620/621,	49
CWSA1125-721	WELDMENT,5" WEIGHT STACK RISER,620/	49
CW30093-150	WEIGHT STACK,150 LBS,MTP-S,14 X 10	50
CWHCYN050-100	SCREW,HEX HEAD,BLK XYLAN,1/2-13 X 1	51
CWKADLN050-081	NUT, ACORN, 1/2-13	52
CWCLFA1064-741	ROD END, FEMALE, STEEL, ZINC, CAD,	54
CWTAYN038-075	SCREW, BUTTON HEAD, BLK XYLAN, 3/8	55
CWTAYN031-100	SCREW, BUTTON HEAD, BLK XYLAN, 5/16	56
CWTAYN031-150	SCREW, BUTTON HEAD, BLK XYLAN, 5/16	57
CWTAYN031-300	SCREW, BUTTON HEAD, BLK XYLAN, 5/16	58
CW12537-109	NUT,INSERT,THIN-NUT,LARGE FLANGE	59
CWBFNN050-250	STUD, 1/2-13 X 2 1/2	60
CWWBKN031-007	WASHER, FLAT, TYPE A, SAE, 5/16 ID	61
CWWBKN038-007	WASHER, FLAT, TYPE A, SAE, 3/8 ID	62
CWWBKN050-010	WASHER, FLAT, TYPE A, SAE, 1/2 ID X	63
CWWALYN031-008	WASHER, SPLIT, 5/16 ID, BL	64
CWWALYN038-009	WASHER, SPLIT, 3/8 ID, BLK XYLAN	65
CWWALYN050-013	WASHER, SPLIT, 1/2 ID, BLK XYLAN	66
CWFA1124-901	SPACER, STEEL,5/8 OD X 1/2 ID X 1/4	67
CWCAYN038-325	SCREW, SOCKET HEAD, BLK XYLAN, 3/8	68
CWCAYN038-525	SCREW, SOCKET HEAD, BLK XYLAN, 3/8	69
CW31756-101	LABEL, PRECOR USA ICARIAN LINE	70
CW30153-101	ASSY, LABEL,INSTRUCTION,621	73
CWPF1212-711	GUIDE ROD, 3/4 X 42 5/8 (#4), CHM	75
CWEANN031-050	SCREW,SET,SCKT,CUP POINT,5/16-18 X	76
CWAC218-901	HANDLE END CAP W/SET SCREWS, DIA 1"	80
CWAC1133-101	BUSHING, WEIGHT PLATE, LDPE PLASTIC	203
CW33870-102	ASSEMBLY, 5" WEIGHT STACK PIN & LEA	227
CWPF3143-211	SHROUD,SHEET,STEEL,4 BENDS, SKY WHI	402.01
CWPF3143-311	SHROUD,SHEET,STEEL,3/32 THICK,4 BEN	402.11
CWPF3143-321	SHROUD,SHEET,STEEL,4 BENDS, TITANIU	402.12
CWPF3144-721	SHROUD BRKT,PLATE,STEEL,1/8 THICK,1	403
CWPF3145-721	SHROUD BRKT,PLATE,STEEL,1/8 THICK,2	404
CWAC1177-101	FLOOR PROTECTOR, RUBBER, 4.563 X 4.	501
CWAC1178-101	FLOOR PROTECTOR, RUBBER, 2.563 X 6.	502